

PARCEL 1 AREA	
UPLAND AREA	59.330 AC.±
WETLAND AREA	0.871 AC.±
NON-JD AREA	0.188 AC.±
TOTAL AREA	60.389 AC.±

PARCEL 2 AREA	
UPLAND AREA	29.031 AC.±
WETLAND AREA	0.697 AC.±
NON-JD AREA	0.084 AC.±
TOTAL AREA	29.812 AC.±

PARCEL 3 AREA	
UPLAND AREA	37.615 AC.±
WETLAND AREA	2.491 AC.±
NON-JD AREA	0.325 AC.±
SRPW AREA	0.371 AC.±
TOTAL AREA	40.802 AC.±

PARCEL 4 AREA	
UPLAND AREA	9.943 AC.±
TOTAL AREA	9.943 AC.±

PARCEL 5 AREA	
UPLAND AREA	1.701 AC.±
TOTAL AREA	1.701 AC.±

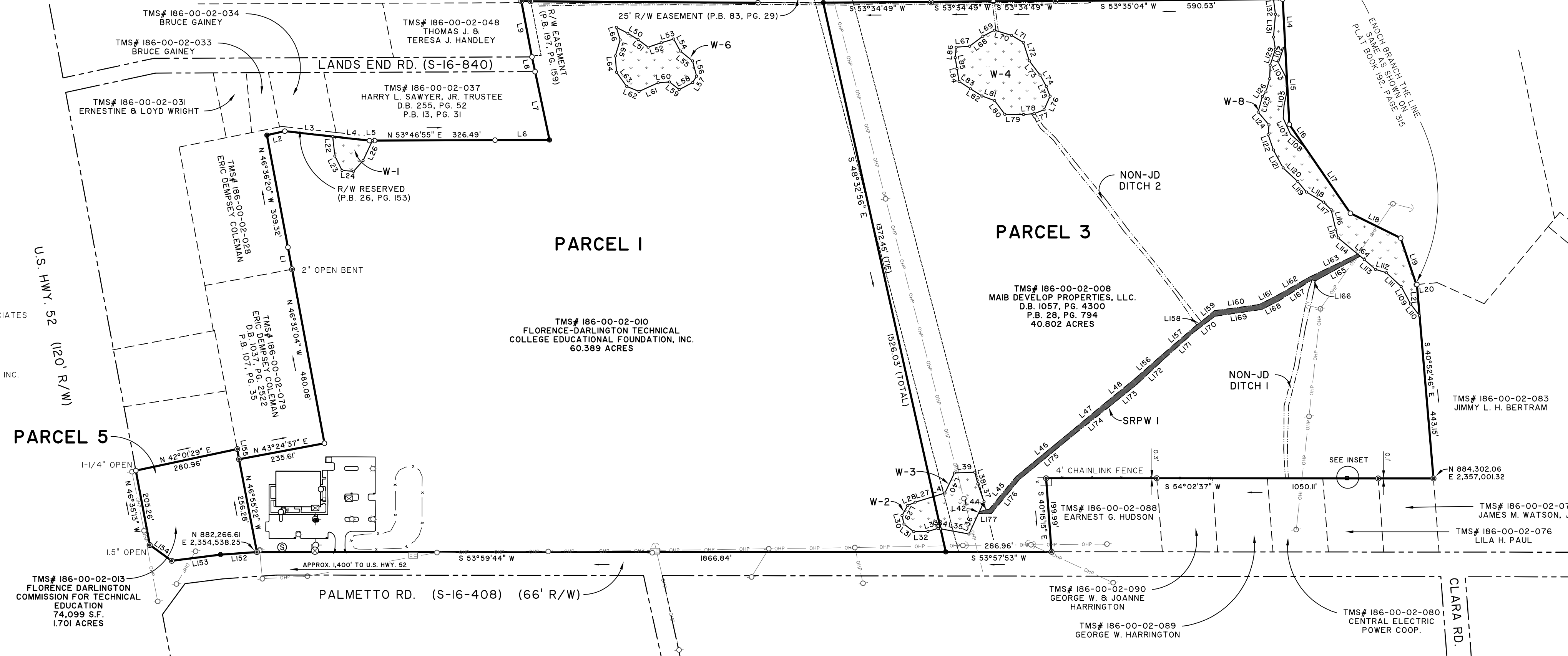
DITCHES	
NON-JURISDICTIONAL DITCH 1	544 LF.±
NON-JURISDICTIONAL DITCH 2	724 LF.±
NON-JURISDICTIONAL DITCH 3	2,065 LF.±
TOTAL	3,333 LF.±

SRPW			
SRPW #1	(TOTAL LENGTH)	(AV. WIDTH)	(ACRES)
	1,272 LF.±	13'±	0.371±
TOTAL			0.371±

WETLANDS	
W-1 (NON-JURISDICTIONAL WETLAND)	0.157 AC.±
W-2 (JURISDICTIONAL WETLAND)	0.163 AC.±
W-3 (JURISDICTIONAL WETLAND)	0.362 AC.±
W-4 (JURISDICTIONAL WETLAND)	0.878 AC.±
W-5 (NON-JURISDICTIONAL WETLAND)	0.391 AC.±
W-6 (JURISDICTIONAL WETLAND)	0.551 AC.±
W-7 (JURISDICTIONAL WETLAND)	0.306 AC.±
W-8 (JURISDICTIONAL WETLAND)	1.251 AC.±
TOTAL	4.059 AC.±

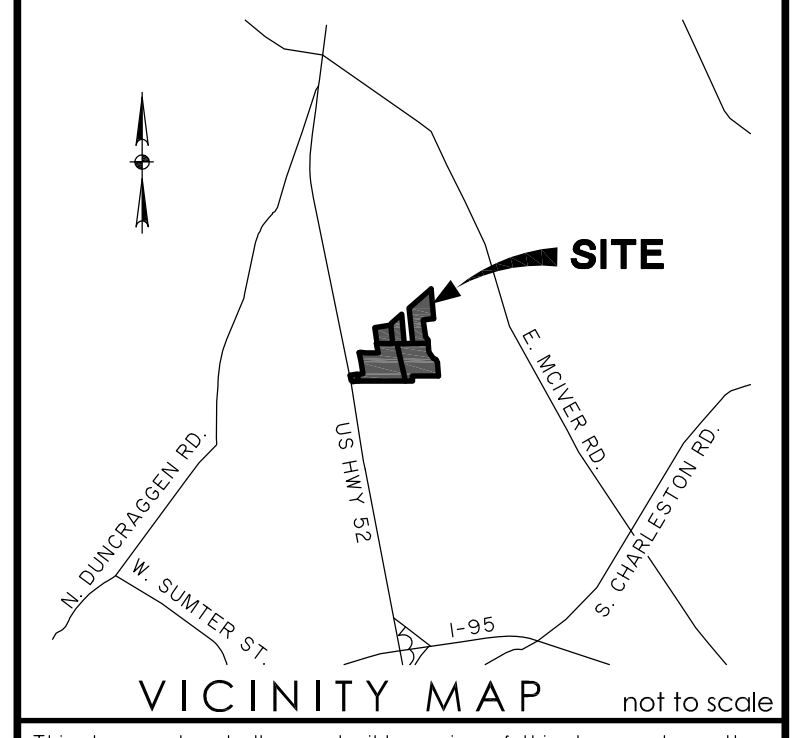
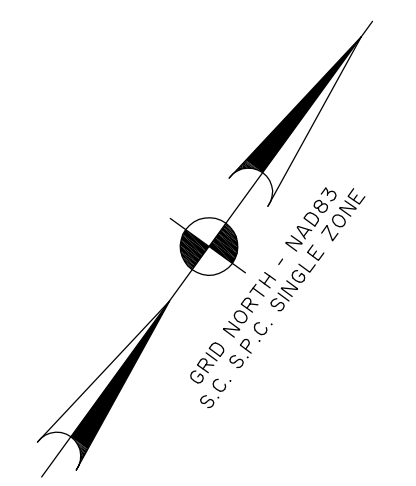
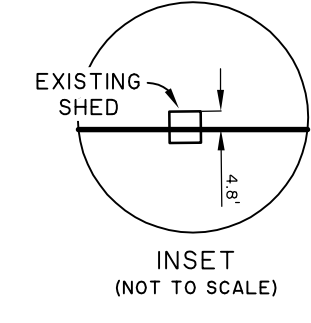
UPLANDS	137.620 AC.±
WETLANDS	4.059 AC.±
NON-JD DITCHES	0.597 AC.±
SRPW DITCH	0.371 AC.±
TOTAL AREA	142.647 AC.±

- REFERENCES
- DEED BOOK 362, PAGE 150 DATED JULY 23, 2002
 - DEED BOOK 778, PAGE 404 DATED MAY 10, 1978
 - DEED BOOK 1043, PAGE 0175 DATED MAY 24, 2006
 - DEED BOOK 1037, PAGE 2522 DATED FEBRUARY 9, 2005
 - DEED BOOK 15, PAGE 77 DATED FEBRUARY 24, 1992
 - DEED BOOK 1033, PAGE 5898 DATED MAY 28, 2004
 - DEED BOOK 1046, PAGE 6420 DATED MAY 14, 2007
 - DEED BOOK 1037, PAGE 2522 DATED FEBRUARY 9, 2005
 - DEED BOOK 1057, PAGE 4300 DATED AUGUST 4, 2009
 - DEED BOOK 809, PAGE 461 DATED JANUARY 21, 2000
 - DEED BOOK 28, PAGE 794 DATED JUNE 23, 1900
 - PLAT BY WILBUR, SMITH & ASSOCIATES DATED MAY 28, 2004
 - PLAT BOOK 197, PAGE 159
 - PLAT BY JOHN L. JOHNSON DATED JANUARY 30, 2002
 - PLAT BOOK 192, PAGE 315
 - PLAT BY ERVIN ENGINEERING CO., INC. DATED OCTOBER 30, 1985
 - PLAT BOOK 107, PAGE 35
 - PLAT BY J.E. TUCKER, JR. DATED FEBRUARY 17, 1978
 - PLAT BOOK 76, PAGE 125
 - PLAT BY D.S. DUBOSE DATED SEPTEMBER 4, 1946
 - PLAT BOOK 15, PAGE 31
 - PLAT BY T.E. WILSON DATED MARCH 25, 1957
 - PLAT BY D.J. WILKES DATED NOVEMBER 1, 1979
 - PLAT BOOK 83, PAGE 29
 - PLAT BY WILLIAM M. JONES, JR. DATED APRIL 14, 1982
 - PLAT BOOK 90, PAGE 103
 - PLAT BY J.N. BRUNSON DATED SEPTEMBER 17, 1906
 - PLAT BOOK 22, PAGE 15
 - PLAT BY T.E. WILSON DATED DECEMBER 23, 1939
 - PLAT BOOK 9, PAGE 202
 - PLAT BY T.E. WILSON DATED APRIL 26, 1945
 - PLAT BOOK 12, PAGE 159

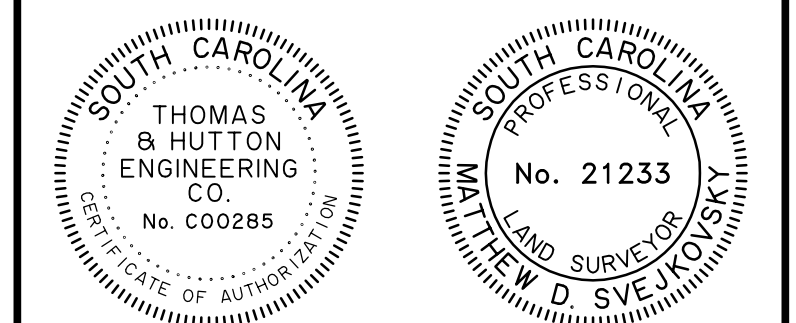


- NOTES
- TAX MAP NO. (PARENT TRACT): 186-00-02-010, 186-00-02-005, & 186-00-028-008
 - ACCORDING TO F.I.R.M. MAP NO. 450060, PANEL 0185B & 0140, REVISED 6/3/91, THE PROPERTY SHOWN ON THIS PLAT IS LOCATED IN FLOOD HAZARD ZONE X. COORDINATES AND DIRECTIONS SHOWN ON THIS SURVEY ARE BASED ON SOUTH CAROLINA STATE PLANE COORDINATE SYSTEM (NAD83). DISTANCES SHOWN ARE GROUND DISTANCES, NOT GRID DISTANCES.
 - THIS SURVEY IS VALID ONLY IF THE PRINT OF SAME HAS THE ORIGINAL SIGNATURE AND EMBOSSED SEAL OF THE LAND SURVEYOR.
 - A TITLE SEARCH WAS NOT PERFORMED BY THOMAS & HUTTON ENGINEERING COMPANY AT THE TIME OF THIS SURVEY.
 - THE PROPERTY PLATED HEREON IS SUBJECT TO ALL EASEMENTS AND RESTRICTIONS OF RECORD.

WETLANDS
THE WETLANDS SHOWN HEREON WERE LOCATED USING GPS TECHNOLOGY. THIS IS AN ACCURATE REPRESENTATION OF THE DELINEATED AND FLAGGED LINES AND MEETS OR EXCEEDS THE ALLOWABLE POSITIONAL TOLERANCE BY THE NATIONAL MAP ACCURACY STANDARDS. THESE WETLANDS ARE UNDER THE JURISDICTION AND PERMITTING AUTHORITY OF THE U.S. ARMY CORPS OF ENGINEERS AND/OR S.C. OFFICE OF OCEAN AND COASTAL RESOURCE MANAGEMENT.



VICINITY MAP not to scale
This document and all reproducible copies of this document are the property of Thomas & Hutton. Reproduction of this document is not permitted without written consent of Thomas & Hutton unless this document becomes a matter of public record. ALTERATIONS TO THIS DOCUMENT ARE NOT PERMITTED.



I HEREBY STATE THAT TO THE BEST OF MY KNOWLEDGE, INFORMATION, AND BELIEF, THE SURVEY SHOWN HEREON WAS MADE IN ACCORDANCE WITH THE REQUIREMENTS OF THE MINIMUM STANDARDS MANUAL FOR THE PRACTICE OF LAND SURVEYING IN SOUTH CAROLINA, AND MEETS OR EXCEEDS THE REQUIREMENTS FOR A CLASS "A" SURVEY AS SPECIFIED THEREIN.
MATTHEW D. SVEUKOVSKY
SOUTH CAROLINA PROFESSIONAL LAND SURVEYOR
LICENSE NO. 21233

WETLAND PLAT OF
5 PARCELS CONTAINING 142.647 AC.±
FOR THE
FLORENCE-DARLINGTON TECHNICAL COLLEGE EDUCATIONAL FOUNDATION, INC.

DARLINGTON COUNTY SOUTH CAROLINA
prepared for
DARLINGTON COUNTY ECONOMIC DEVELOPMENT PARTNERSHIP

2	Added bearing & distances to SRPW 1	JED	2/9/10
1	Revised per additional field locations per comments from SMI, Inc.	PPG	12/20/10
No.	Revision	By	Date

THOMAS & HUTTON
Engineering | Surveying | Planning | GIS | Consulting
1350 Farrow Parkway
PO Box 8000
Myrtle Beach, SC 29578-8000
p 843.839.3545 f 843.839.3565
www.thomasandhutton.com

plot	drawn	reviewed	field	crew
5/18/10	JED	MDS	3/18/10	CWW

job 22355W01 SHEET 1 OF 1

LINE TABLE			LINE TABLE		
LINE	BEARING	LENGTH	LINE	BEARING	LENGTH
L1	N 46°36'20" W	60.47'	L88	N 40°46'26" W	49.14'
L2	N 4°11'18" E	49.62'	L89	S 28°03'02" E	20.08'
L3	N 60°23'27" E	150.64'	L90	S 02°10'04" W	46.31'
L4	N 60°23'27" E	100.33'	L91	S 70°10'33" W	65.23'
L5	N 53°46'55" E	8.12'	L92	N 72°39'08" W	37.71'
L6	N 53°46'55" E	147.56'	L93	N 68°57'01" W	34.70'
L7	N 47°54'04" W	189.29'	L94	N 23°36'01" W	41.40'
L8	N 47°54'04" W	40.85'	L95	N 08°52'50" W	38.00'
L9	N 46°46'52" W	150.07'	L96	N 84°48'38" E	34.78'
L10	N 54°23'08" E	25.46'	L97	N 55°51'49" E	35.71'
L11	N 38°59'59" E	218.35'	L98	S 83°05'33" E	32.44'
L12	S 74°16'16" E	165.26'	L99	S 59°22'16" E	36.37'
L13	S 38°59'59" E	123.73'	L100	N 53°55'04" E	24.88'
L14	S 38°59'59" E	125.94'	L101	N 00°47'24" W	8.19'
L15	S 38°59'59" E	43.56'	L102	N 17°06'16" W	42.02'
L16	S 70°30'37" E	74.41'	L103	N 63°13'55" W	42.78'
L17	S 70°30'37" E	217.74'	L104	N 40°24'55" W	41.99'
L18	N 80°71'16" E	152.02'	L105	N 24°05'41" W	36.42'
L19	S 54°35'21" E	133.00'	L106	N 32°30'23" W	35.14'
L20	N 48°52'06" E	157'	L107	N 60°22'00" W	47.69'
L21	N 40°52'46" W	84.79'	L108	N 84°06'32" E	52.22'
L22	S 42°25'04" E	53.21'	L109	S 64°02'13" E	53.81'
L23	S 62°22'24" E	43.56'	L110	S 73°03'33" E	39.79'
L24	N 58°22'05" E	31.37'	L111	S 82°50'07" E	55.11'
L25	N 05°50'55" E	38.63'	L112	N 70°44'02" E	30.80'
L26	N 10°55'59" W	60.01'	L113	S 84°40'18" E	40.21'
L27	S 36°57'50" W	69.65'	L114	S 80°45'53" E	68.48'
L28	S 30°28'38" W	22.23'	L115	S 52°44'59" E	23.05'
L29	S 06°55'42" E	31.47'	L116	S 48°50'20" E	55.61'
L30	S 48°48'15" E	23.54'	L117	S 80°39'39" E	29.39'
L31	S 88°08'29" E	33.70'	L118	N 84°52'25" E	42.69'
L32	N 53°04'01" E	38.24'	L119	S 75°31'37" E	37.14'
L33	N 37°23'00" E	28.84'	L120	S 82°55'12" E	54.38'
L34	N 64°18'15" E	6.89'	L121	S 64°26'59" E	35.05'
L35	S 48°48'15" E	78.23'	L122	S 32°52'52" E	26.84'
L36	N 10°03'34" W	61.31'	L123	S 32°52'52" E	26.84'
L37	N 55°03'39" W	51.23'	L124	S 76°10'48" E	45.28'
L38	N 50°43'27" W	32.66'	L125	S 20°39'04" E	44.18'
L39	S 52°02'17" W	43.56'	L126	S 33°47'26" E	36.52'
L40	S 10°48'22" E	60.37'	L127	S 20°12'47" E	37.18'
L41	S 36°57'50" W	32.78'	L128	S 33°47'26" E	36.52'
L42	N 10°03'34" W	5.99'	L129	S 18°21'21" E	45.64'
L43	N 40°02'52" E	27.55'	L130	S 44°43'32" E	33.41'
L44	N 40°02'52" E	27.55'	L131	S 30°56'00" E	61.75'
L45	N 03°26'02" E	114.48'	L132	S 43°12'57" E	41.02'
L46	N 14°31'57" E	203.35'	L133	S 43°12'57" E	2.73'
L47	N 14°10'05" E	109.30'	L134	S 43°12'57" E	41.52'
L48	N 14°57'03" E	97.99'	L135	S 55°13'39" E	47.94'
L49	S 81°27'37" W	35.23'	L136	S 63°20'42" E	49.02'
L50	S 89°42'45" W	32.88'	L137	S 41°49'01" E	39.72'
L51	N 88°53'08" W	34.04'	L138	S 60°27'02" E	43.56'
L52	S 35°08'26" W	37.38'	L139	N 84°08'31" E	47.80'
L53	S 37°21'56" W	35.35'	L140	S 78°35'53" E	47.60'
L54	N 64°31'15" W	36.98'	L141	S 53°32'33" E	32.09'
L55	N 87°09'25" W	42.80'	L142	S 86°40'10" E	37.50'
L56	N 50°50'02" W	42.93'	L143	S 35°05'43" E	53.52'
L57	N 04°25'59" W	20.21'	L144	S 40°53'07" E	32.84'
L58	N 26°33'59" E	41.01'	L145	S 18°21'21" E	44.66'
L59	S 87°16'31" E	33.43'	L146	N 39°14'54" W	32.24'
L60	N 49°51'37" E	30.86'	L147	N 38°19'42" W	47.03'
L61	N 29°29'22" E	56.96'	L148	N 49°49'01" W	27.89'
L62	N 76°33'24" E	36.33'	L149	N 75°53'42" W	46.98'
L63	S 77°49'34" E	47.60'	L150	N 69°31'37" W	53.93'
L64	S 40°13'04" E	44.23'	L151	N 87°16'50" W	14.73'
L65	S 19°02'44" E	45.64'	L152	S 49°55'09" W	99.23'
L66	S 33°05'04" E	35.80'	L153	S 46°45'26" W	133.00'
L67	S 49°44'01" E	35.57'	L154	S 89°48'03" W	73.42'
L68	S 16°47'28" W	45.01'	L155	S 45°48'49" E	27.96'
L69	S 26°36'31" W	35.20'	L156	N 12°40'20" E	103.91'
L70	S 70°55'47" W	48.52'	L157	N 13°41'59" E	128.06'
L71	S 84°24'49" W	37.85'	L158	N 18°56'01" E	15.00'
L72	N 53°51'57" W	52.61'	L159	N 13°54'40" E	46.27'
L73	N 72°58'13" W	48.40'	L160	N 46°10'24" E	122.85'
L74	N 65°04'07" W	34.93'	L161	N 27°10'35" E	51.02'
L75	N 56°50'18" W	28.58'	L162	N 24°21'08" E	104.07'
L76	N 12°21'37" W	40.25'	L163	N 28°27'20" E	144.90'
L77	N 32°47'29" E	28.88'	L164	S 86°14'59" E	8.97'
L78	N 49°17'29" E	29.04'	L165	N 25°12'00" E	138.93'
L79	N 54°46'50" E	50.75'	L166	S 73°56'53" W	9.00'
L80	S 72°31'35" E	46.18'	L167	S 2°38'34" W	107.80'
L81	N 73°45'11" E	36.59'	L168	S 27°15'33" W	51.81'
L82	N 66°26'13" E	36.45'	L169	S 45°17'44" W	127.71'
L83	N 67°00'19" E	37.20'	L170	S 17°02'31" W	67.74'
L84	S 45°21'09" E	35.05'	L171	S 15°15'09" W	110.14'
L85	S 44°49'32" E	30.01'	L172	S 10°02'14" W	104.89'
L86	S 30°42'52" E	28.34'	L173	S 44°47'05" E	98.20'
L87	S 43°58'48" E	9.39'	L174	S 15°45'29" W	109.13'
			L175	S 14°31'57" W	202.06'
			L176	S 03°26'02" W	119.06'
			L177	S 54°34'44" W	34.72'